

# 400 SERIES

## FRENCHWOOD® HINGED PATIO DOORS IN SWING

**CUSTOM SIZING!**

in 1/8" increments

### SECTION REFERENCE

Tables of Sizes .....	156-157
Opening Specifications .....	158
Divided Light Patterns .....	159
Door Details .....	159-162
Joining Details .....	162
Door Sidelights & Transoms .....	171
Art Glass Options .....	139
Combination Designs .....	259
Performance Data .....	269

# FRENCHWOOD® HINGED PATIO DOORS – INSWING

## Features

### FRAME

**A** The sill of the Frenchwood® hinged patio door is made with three-piece construction. The subsill is made of patented Fibrex® material, and the sill step is solid oak. The exterior sill member is made of extruded aluminum with an attractive wear-resistant, heat-baked finish in a neutral color. This combination of materials combines durability and low maintenance with excellent insulating characteristics.

**B** All basic exterior frame members are made of a fiberglass reinforced composite, which maintains an attractive appearance while minimizing maintenance.

**C** The exterior frame members are attached to a water-repellent preservative-treated wood subframe for long-lasting\* protection and performance. The subframe is grooved to accept extension jambs.



### PANEL

**D** The exterior of the wood door panel is protected with a long-lasting\* urethane base finish in White, Sandtone, Terratone® or Forest Green color.

**E** Panel interior surfaces are unfinished pine. Unfinished oak and maple veneers are available as options. Low-maintenance prefinished white interiors are also available.

Hinged inswing operating panels are either left- or right-hand active.

**F** A factory-applied, one-piece compression-type rubber weatherstrip continues in one plane around the panel to provide maximum effectiveness against water and air infiltration. The corners of the weatherstrip are welded to eliminate gaps between the panel and the frame/sill shoulder.



### Mortise-and-Tenon Joints

Mortise-and-tenon joints prevent panel sag and maintain smooth operation.

### Adjustable Hinges

Adjustable hinges have ball bearing pivots for smooth, frictionless movement. Features easy horizontal and vertical



Standard Gold Dust finish shown.

adjustment, plus quick release feature for easy panel removal. Available factory-applied in finishes that coordinate with door hardware. For units with a white prefinished interior, white finish hinges are standard. Hardware is sold separately.

### GLASS

**G** Panels are silicone bed glazed and finished with an interior wood stop.



**H** High-Performance™ glass options include:

- Low-E4® tempered glass
- Low-E4® SmartSun™ tempered glass
- Low-E4® Sun tempered glass

Additional glass options are available. Contact your Andersen supplier. (Glass option must be specified.)

### PATTERNED GLASS

Patterned glass options are available. See page 12 for more details.

### LOCKING SYSTEM



### Multi-Point Locking System

The Frenchwood hinged patio door has a multi-point locking system with two hook bolts above and below the center dead bolt. This system provides added weathertightness and enhanced security.



Frenchwood hinged patio doors are available with Stormwatch® protection. For a copy of the Andersen® Coastal Product Guide, contact your Andersen supplier.

\* For complete information on our limited warranties, visit [andersenwindows.com](http://andersenwindows.com) or contact your Andersen supplier.

NOTE: Andersen® patio doors are not intended for use as entrance doors.

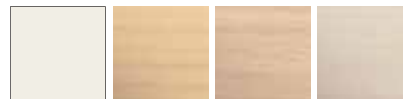
## Exterior

Specify a unit exterior and interior finish/veneer option to complete your order.



White Sandtone Terratone® Forest Green

## Interior



white pine oak maple

Naturally occurring variations in grain, color and texture make each wood door panel one-of-a-kind.

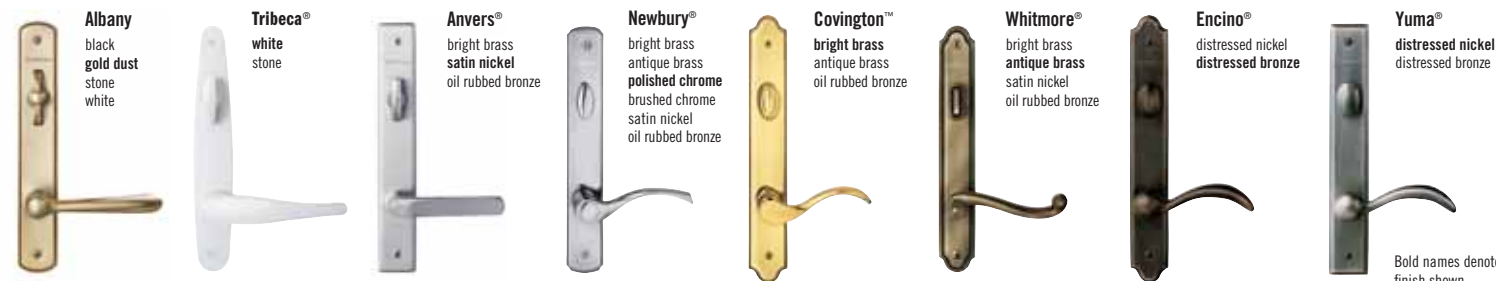
Prefinished white interiors are only available on units with white exteriors.

For more information about glass, patterned glass, art glass, grilles and installation accessories, see pages 12–32 or visit

[andersenwindows.com](http://andersenwindows.com)

## Hardware

Sold Separately.



**Albany**  
black  
gold dust  
stone  
white

**Tribeca®**  
white  
stone

**Anvers®**  
bright brass  
satin nickel  
oil rubbed bronze

**Newbury®**  
bright brass  
antique brass  
polished chrome  
brushed chrome  
satin nickel  
oil rubbed bronze

**Covington™**  
bright brass  
antique brass  
oil rubbed bronze

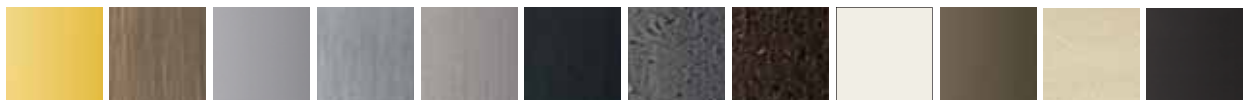
**Whitmore®**  
bright brass  
antique brass  
satin nickel  
oil rubbed bronze

**Encino®**  
distressed nickel  
distressed bronze

**Yuma®**  
distressed nickel  
distressed bronze

Bold names denote finish shown.

## Hardware Finishes



bright brass antique brass polished chrome brushed chrome satin nickel oil rubbed bronze distressed nickel distressed bronze white stone gold dust black

Printing limitations prevent exact finish replication. See your Andersen supplier for actual finish samples. Tribeca and Albany hardware are zinc diecast with powder-coated durable finish. Other hardware is solid forged brass. Mix-and-match interior and exterior style and finish options are available. Bright brass and satin nickel finishes feature a 10-year limited warranty.

## Accessories

Sold Separately.

### FRAME

#### Extension Jamb

Standard jamb depth is 4 9/16". Pine, oak or maple veneer or white interior extension jamba are available for the following wall thicknesses:

- 5 1/4"
- 6 9/16"
- 7 1/8"

Bright brass, antique brass, polished chrome, oil rubbed bronze, brushed chrome and satin nickel strike plate extensions are available for two-panel astragal hinged and single hinge doors.

Exterior extension jamb system is available for the following wall thicknesses:

- 5 1/4"
- 6 9/16"
- 7 9/16"

In walls over 4 1/2", the exterior sill extender and exterior extension jamb system allow the unit to be installed flush to the interior, so the hinged doors will open flat against the interior wall. Colored to match the exterior of the finished unit, this system provides a low-maintenance, finished exterior appearance. An extended double insect screen track is available for double-jamb hinged doors that require gliding insect screens. Exterior jamb kits are available with or without the double-insect screen track.



#### Threshold

An oak or maple threshold is available for finishing the interior of the sill.



#### Sill Support

An aluminum sill support is designed to lock into a channel

under the sill and tie back into the wall. This will offer support to the outermost sill section when needed. Available in neutral gray finish.



#### Ramped Sill Insert

Ramped sills provide smooth transition from interior to exterior and can be used with a retractable insect screen, but not a gliding insect screen. Shown here with an Andersen<sup>®</sup> Frenchwood<sup>®</sup> patio door. (Specifier must check with local and federal officials to determine if product meets accessibility codes.)

### HARDWARE



#### Exterior Keyed Lock

A six-pin key cylinder lock is available for all patio doors in styles and finishes that coordinate with hardware. This lock allows the patio door to be locked and unlocked from the exterior.



#### Construction Lock

This hardware can be used on all Andersen hinged doors to help secure the jobsite during the construction phase of the project. It features an undersized escutcheon plate, which makes on-site finishing easier.



#### Handle Extension

Handle extensions extend interior door handles an additional 1" from the door panel to accommodate interior blinds or shades. A second extender may be added to the spindle to increase the length an additional 1" to a 2" total extension. Extenders and spindles are sold separately. Extenders are available in finishes that coordinate with hardware.

### GLASS

#### Andersen<sup>®</sup> Art Glass

Andersen art glass panels come in eleven original patterns, including four *Frank Lloyd Wright<sup>®</sup> Series* designs. See page 139 for complete details on Andersen art glass or visit [andersenwindows.com/artglass](http://andersenwindows.com/artglass) for pattern information.

### SIDLIGHTS AND TRANSOMS



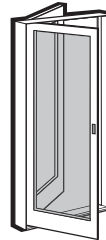
Sidelights and transoms are available for all Frenchwood hinged patio doors. See page 171 for details.

### GRILLES

#### Divided Light Patterns

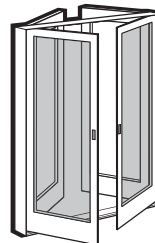
See page 159 for divided light patterns or visit [andersenwindows.com/grilles](http://andersenwindows.com/grilles).

### INSECT SCREENS



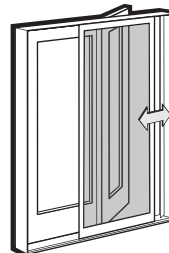
#### Hinged Insect Screen

Available for single-panel doors.



#### Double-Hinged Insect Screen

Available for two-panel double jamb hinged doors.



#### Gliding Insect Screen

Available for all two- and three-panel doors. Features Delrin<sup>®</sup> material injection molded bottom rollers with self-contained leveling adjusters. A double insect screen track kit and two universal gliding insect screens are required for installation. Gliding insect screens are not available for 4'-0" wide doors.

All insect screens have a long-lasting\* fiberglass screen cloth with a charcoal finish. Frames are available in White, Sandtone, Terratone<sup>®</sup> and Forest Green colors.

### PANEL



#### Panel Stop

This hinged door panel stop helps prevent wall damage when opening the inswing door. Available in finishes that coordinate with hardware.



#### Double Insect Screen Track

An extended insect screen track is available for double jamb hinged doors that use gliding insect screens.

**NEW**

### EXTERIOR TRIM

This product now available with Andersen Exterior Trim. See pages 141–144 for details.

#### CAUTION:

- Painting and staining may cause damage to rigid vinyl.
- Products in Sandtone or Terratone<sup>®</sup> color may be painted any color lighter than Terratone using quality oil-base or latex paint. Submit color samples to Andersen for approval when painting Sandtone or Terratone any color darker than Terratone.
- Do not paint Forest Green exteriors.
- Creosote-based stains should not come in contact with Andersen products.
- Do not paint weatherstripping.
- Abrasive cleaners or solutions containing corrosive solvents should not be used on Andersen products.
- For vinyl painting instructions and preparation, contact your Andersen supplier.
- Andersen does not warrant the adhesion of paint to vinyl.

"Frank Lloyd Wright" is a registered trademark of the Frank Lloyd Wright Foundation.

"Delrin" is a registered trademark of E.I. du Pont de Nemours and Company.

# FRENCHWOOD® HINGED PATIO DOORS – INSWING

**Table of Frenchwood® Hinged Inswing Patio Door Sizes**

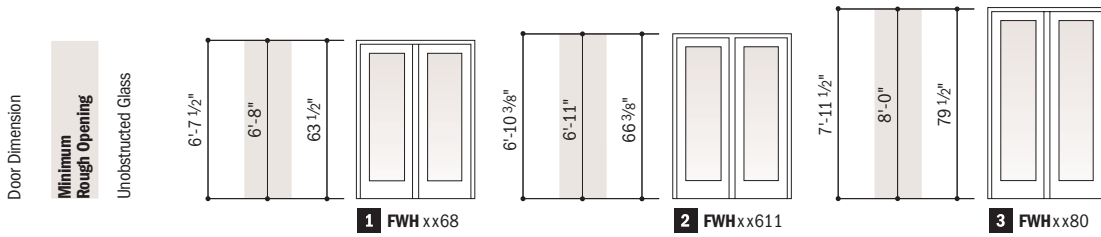
Scale 1/8" = 1'-0" (1:96)

Door Dimension	2'-0 1/2"			4'-0"		4'-0"			
<b>Minimum Rough Opening</b>	2'-1"			4'-1"		4'-1"			
Unobstructed Glass (single panel only)	13 1/4"			13 1/4"		13 1/4"			
3 heights									
	<b>1</b>	FWH2168S		FWH4168APLR		FWH4168PALR			
	<b>2</b>	FWH21611S		FWH41611APLR		FWH41611PALR			
	<b>3</b>	FWH2180S		FWH4180APLR		FWH4180PALR			
Door Dimension	2'-6 1/8"			4'-11 1/4"		4'-11 1/4"		4'-11 1/4"	
<b>Minimum Rough Opening</b>	2'-7"			5'-0"		5'-0"		5'-0"	
Unobstructed Glass (single panel only)	18 7/8"			18 7/8"		18 7/8"		18 7/8"	
3 heights									
	<b>1</b>	FWH2768S	FWH2768AR	FWH2768AL	FWH5068SS	FWH5068ASR	FWH5068SAL	FWH5068APLR	FWH5068PALR
	<b>2</b>	FWH27611S	FWH27611AR	FWH27611AL	FWH50611SS	FWH50611ASR	FWH50611SAL	FWH50611APLR	FWH50611PALR
	<b>3</b>	FWH2780S	FWH2780AR	FWH2780AL	FWH5080SS	FWH5080ASR	FWH5080SAL	FWH5080APLR	FWH5080PALR
Door Dimension	2'-8 1/8"			5'-3 1/4"		5'-3 1/4"		5'-3 1/4"	
<b>Minimum Rough Opening</b>	2'-9"			5'-4"		5'-4"		5'-4"	
Unobstructed Glass (single panel only)	20 7/8"			20 7/8"		20 7/8"		20 7/8"	
3 heights									
	<b>1</b>	FWH2968S	FWH2968AR	FWH2968AL	FWH5468SS	FWH5468ASR	FWH5468SAL	FWH5468APLR	FWH5468PALR
	<b>2</b>	FWH29611S	FWH29611AR	FWH29611AL	FWH54611SS	FWH54611ASR	FWH54611SAL	FWH54611APLR	FWH54611PALR
	<b>3</b>	FWH2980S	FWH2980AR	FWH2980AL	FWH5480SS	FWH5480ASR	FWH5480SAL	FWH5480APLR	FWH5480PALR
Door Dimension	3'-0 1/8"			5'-11 1/4"		5'-11 1/4"		5'-11 1/4"	
<b>Minimum Rough Opening</b>	3'-1"			6'-0"		6'-0"		6'-0"	
Unobstructed Glass (single panel only)	24 7/8"			24 7/8"		24 7/8"		24 7/8"	
3 heights									
	<b>1</b>	FWH3168S	FWH3168AR	FWH3168AL	FWH6068SS	FWH6068ASR	FWH6068SAL	FWH6068APLR	FWH6068PALR
	<b>2</b>	FWH31611S	FWH31611AR	FWH31611AL	FWH60611SS	FWH60611ASR	FWH60611SAL	FWH60611APLR	FWH60611PALR
	<b>3</b>	FWH3180S	FWH3180AR	FWH3180AL	FWH6080SS	FWH6080ASR	FWH6080SAL	FWH6080APLR	FWH6080PALR

\* "Door Dimension" always refers to outside frame to frame dimension.

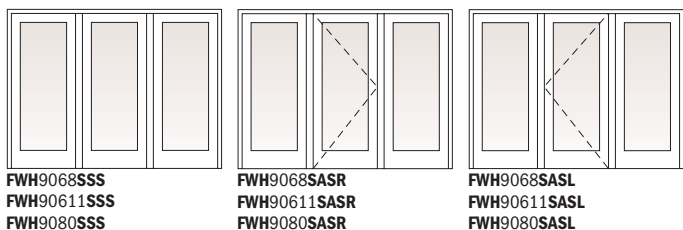
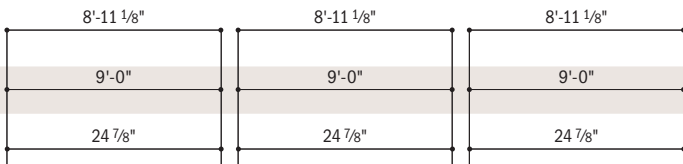
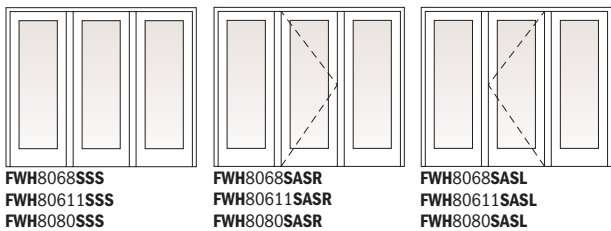
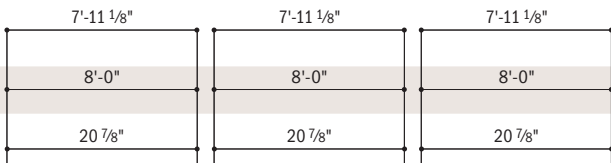
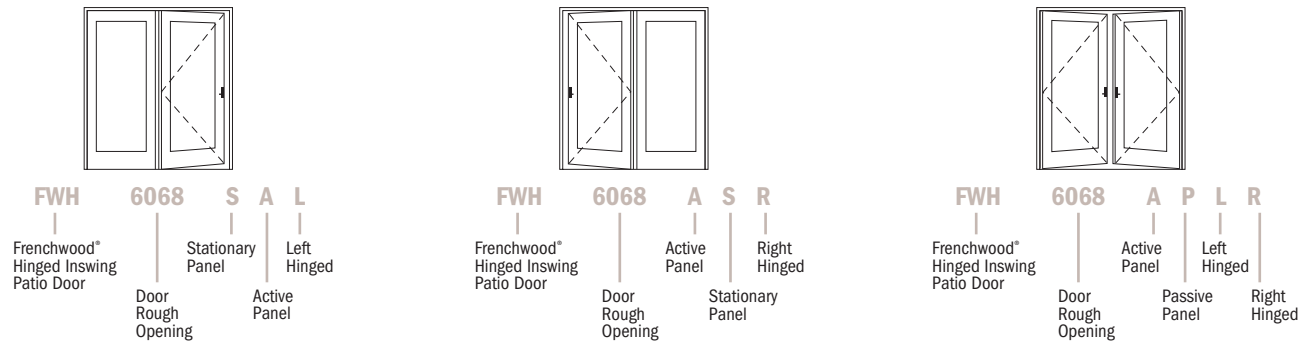
\* "Minimum Rough Opening" dimensions may need to be increased to allow for use of building wraps, flashing, sill panning, brackets, fasteners or other items. See installation information on page 33.

Three Patio Door Heights



Order Designation Description

Viewed from the exterior.



• "Door Dimension" always refers to outside frame to frame dimension.  
• "Minimum Rough Opening" dimensions may need to be increased to allow for use of building wraps, flashing, sill panning, brackets, fasteners or other items. See installation information on page 33.

400 Series  
Frenchwood® Hinged  
Patio Doors — Inswing

# FRENCHWOOD® HINGED PATIO DOORS – INSWING

## Frenchwood® Hinged Inswing Patio Door Opening Specifications

Door Number	Clear Opening Sq. Ft.	Clear Opening Maximums			Glass Area Sq. Ft.	Vent Sq. Ft.	Overall Window Area Sq. Ft.
		90° Width Inches	Full Width Inches	Height Inches			
2768	12.98	24 13/16"	26"	75 1/4"	8.32	12.98	16.63
2968	14.02	26 13/16"	28"	75 1/4"	9.20	14.02	17.74
3168	16.11	30 13/16"	32"	75 1/4"	10.96	16.11	19.95
4168AP/4168PA	21.43	41"	43 7/8"	75 1/4"	11.68	21.43	26.50
4168AP/4168PA*	21.43	19 7/8"	21 1/16"	75 1/4"	11.68	21.43	26.50
5068	12.98	24 13/16"	26"	75 1/4"	16.64	12.98	32.71
5068AP/5068PA	27.30	52 1/4"	55 1/8"	75 1/4"	16.64	27.30	32.71
5068AP/5068PA*	27.30	25 1/2"	26 11/16"	75 1/4"	16.64	27.30	32.71
5468	14.02	26 13/16"	28"	75 1/4"	18.39	14.02	34.92
5468AP/5468PA	29.39	56 1/4"	59 1/8"	75 1/4"	18.39	29.39	34.92
5468AP/5468PA*	29.39	27 1/2"	28 11/16"	75 1/4"	18.39	29.39	34.92
6068	16.11	30 13/16"	32"	75 1/4"	21.92	16.11	39.34
6068AP/6068PA	33.58	64 1/2"	67 1/8"	75 1/4"	21.92	33.58	39.34
6068AP/6068PA*	33.58	31 1/2"	32 11/16"	75 1/4"	21.92	33.58	39.34
8068	14.02	26 13/16"	28"	75 1/4"	27.60	14.02	52.52
9068	16.11	30 13/16"	32"	75 1/4"	32.88	16.11	59.14
27611	13.48	24 13/16"	26"	78 1/8"	8.69	13.48	17.21
29611	14.55	26 13/16"	28"	78 1/8"	9.61	14.55	18.36
31611	16.72	30 13/16"	32"	78 1/8"	11.45	16.72	20.64
41611AP/41611PA	22.24	41"	43 7/8"	78 1/8"	12.20	22.24	27.46
41611AP/41611PA*	22.24	19 7/8"	21 1/16"	78 1/8"	12.20	22.24	27.46
50611	13.48	24 13/16"	26"	78 1/8"	17.38	13.48	33.89
50611AP/50611PA	28.34	52 1/4"	55 1/8"	78 1/8"	17.38	28.34	33.89
50611AP/50611PA*	28.34	25 1/2"	26 11/16"	78 1/8"	17.38	28.34	33.89
54611	14.55	26 13/16"	28"	78 1/8"	19.22	14.55	36.18
54611AP/54611PA	30.51	56 1/4"	59 1/8"	78 1/8"	19.22	30.51	36.18
54611AP/54611PA*	30.51	27 1/2"	28 11/16"	78 1/8"	19.22	30.51	36.18
60611	16.72	30 13/16"	32"	78 1/8"	22.91	16.72	40.76
60611AP/60611PA	34.86	64 1/2"	67 1/8"	78 1/8"	22.91	34.86	40.76
60611AP/60611PA*	34.86	31 1/2"	32 11/16"	78 1/8"	22.91	34.86	40.76
80611	14.55	26 13/16"	28"	78 1/8"	28.83	14.55	54.43
90611	16.72	30 13/16"	32"	78 1/8"	34.36	16.72	61.30
2780	15.73	24 13/16"	26"	91 1/4"	10.41	15.73	19.98
2980	17.00	26 13/16"	28"	91 1/4"	11.52	17.00	21.31
3180	19.54	30 13/16"	32"	91 1/4"	13.72	19.54	23.96
4180AP/4180PA	25.98	41"	43 7/8"	91 1/4"	14.62	25.98	31.83
4180AP/4180PA*	25.98	19 7/8"	21 1/16"	91 1/4"	14.62	25.98	31.83
5080	15.73	24 13/16"	26"	91 1/4"	20.82	15.73	39.30
5080AP/5080PA	33.11	52 1/4"	55 1/8"	91 1/4"	20.82	33.11	39.30
5080AP/5080PA*	33.11	25 1/2"	26 11/16"	91 1/4"	20.82	33.11	39.30
5480	17.00	26 13/16"	28"	91 1/4"	23.03	17.00	41.95
5480AP/5480PA	35.64	56 1/4"	59 1/8"	91 1/4"	23.03	35.64	41.95
5480AP/5480PA*	35.64	27 1/2"	28 11/16"	91 1/4"	23.03	35.64	41.95
6080	19.54	30 13/16"	32"	91 1/4"	27.44	19.54	47.25
6080AP/6080PA	40.71	64 1/2"	67 1/8"	91 1/4"	27.44	40.71	47.25
6080AP/6080PA*	40.71	31 1/2"	32 11/16"	91 1/4"	27.44	40.71	47.25
8080	17.00	26 13/16"	28"	91 1/4"	34.55	17.00	63.09
9080	19.54	30 13/16"	32"	91 1/4"	41.16	19.54	71.05

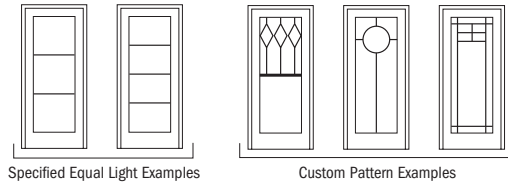
\*Passive panel in closed position.

**Divided Light Patterns**

	Prairie A	Colonial	Modified Colonial	Modified Colonial SCR (Simulated Check Rail)	Tall Fractional	Tall Fractional SCR (Simulated Check Rail)	Short Fractional	Short Fractional SCR (Simulated Check Rail)
<b>Frenchwood® Hinged Inswing Patio Doors</b>								

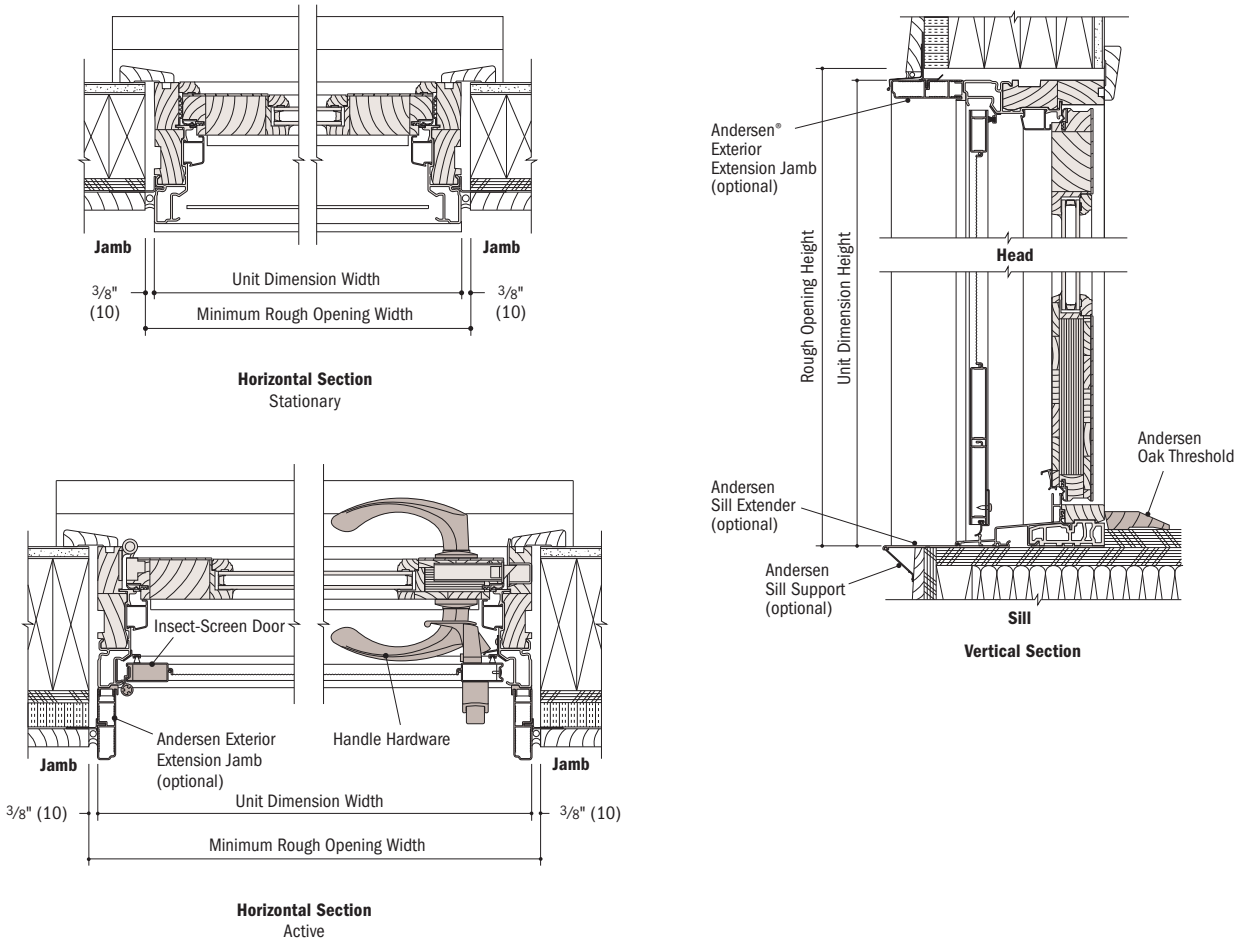
Number of lights and overall pattern varies with panel size. Patterns are not available in all configurations.

Specified equal light and custom patterns are also available. For more information on divided light see page 13 or visit [andersenwindows.com/grilles](http://andersenwindows.com/grilles).



**Frenchwood® Hinged Inswing Patio Door Details**

Scale 1 1/2" = 1'-0" (1:8)



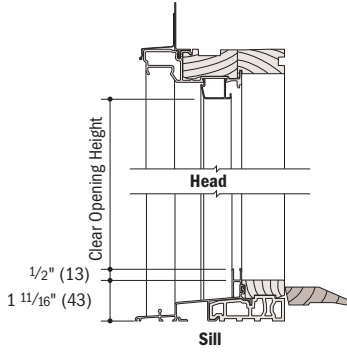
- Light-colored areas are parts included with door. Dark-colored areas are additional Andersen® parts required to complete door assembly as shown.
- **Rough openings may need to be increased to allow for use of building wraps, flashing, sill panning, brackets, fasteners or other items. See installation information on page 33.**
- Details are for illustration only and are not intended to represent product installation methods or materials. Refer to product installation guides at [andersenwindows.com](http://andersenwindows.com).

400 Series  
Frenchwood® Hinged  
Patio Doors — Inswing

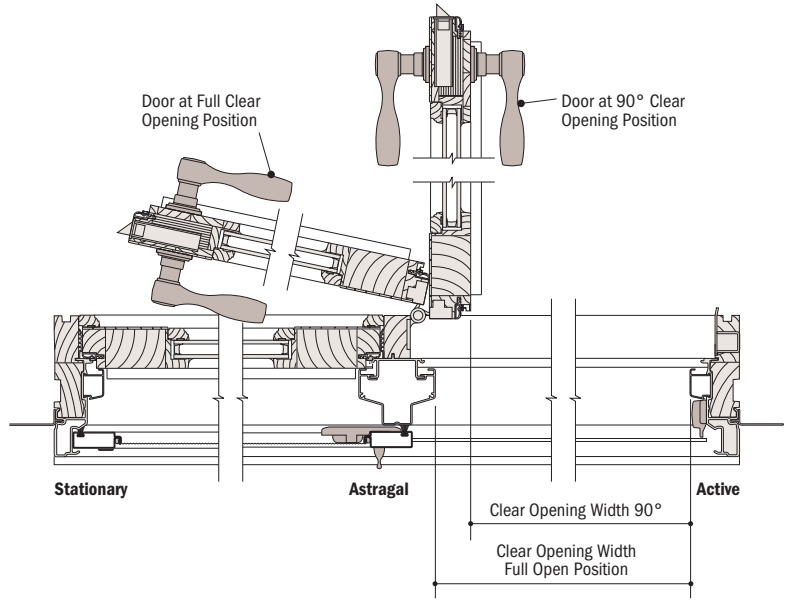


**Clear Opening Details**

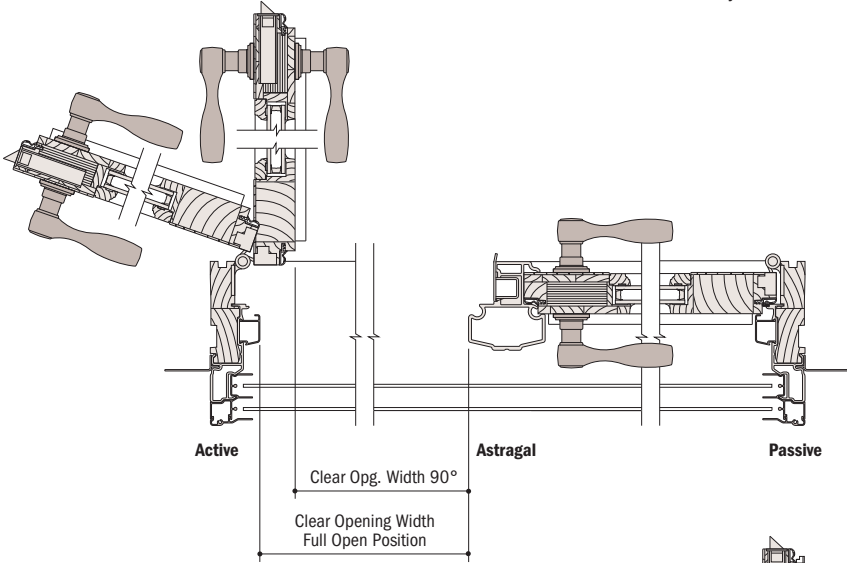
Scale 1 1/2" = 1'-0" (1:8)



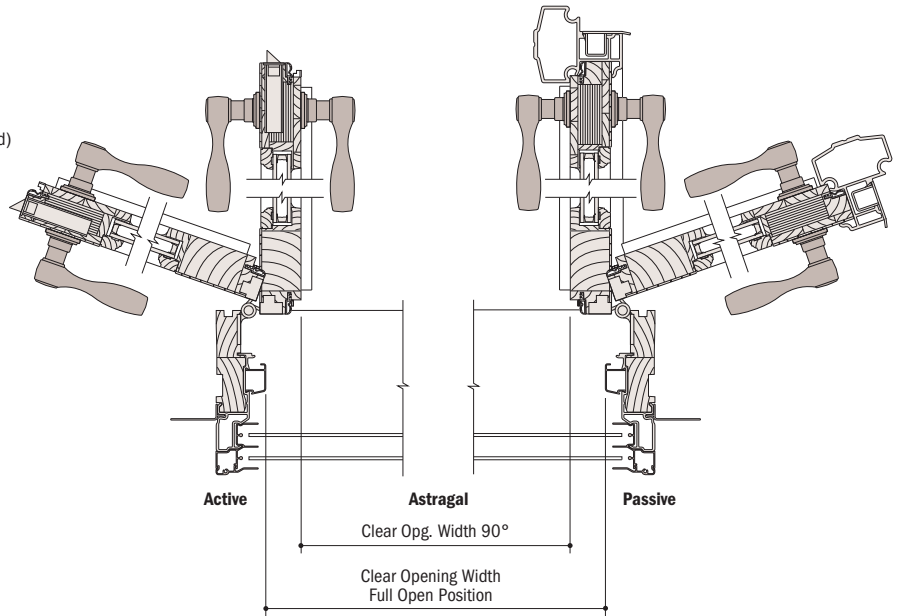
**Vertical Section**



**Horizontal Section**  
 2-Panel, Stationary and Active (open)



**Horizontal Section**  
 2-Panel, Active (open) and Passive (closed)



**Horizontal Section**  
 2-Panel, Active (open) and Passive (open)

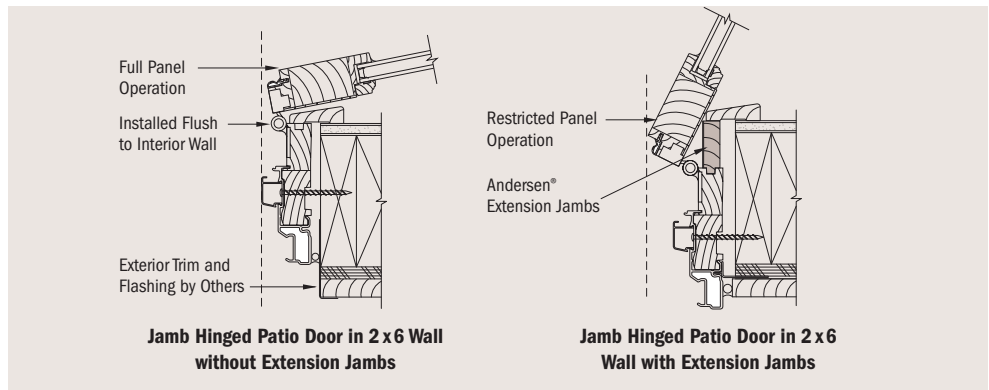
- Light-colored areas are parts included with door. Dark-colored areas are additional Andersen® parts required to complete door assembly as shown.
- **Rough openings may need to be increased to allow for use of building wraps, flashing, sill panning, brackets, fasteners or other items. See installation information on page 33.**
- Details are for illustration only and are not intended to represent product installation methods or materials. Refer to product installation guides at andersenwindows.com.

400 Series  
 Frenchwood® Hinged  
 Patio Doors — Inswing

# FRENCHWOOD® HINGED PATIO DOORS — INSWING

## Interior Extension Jamb

Use of interior extension jambs or drywall return will restrict panel operation on jamb hinged patio doors. Jamb hinged patio doors must be installed flush to the interior to achieve full panel operation.



## Vertical Non-Reinforced Joining Detail

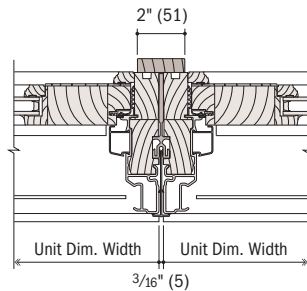
Scale 1<sup>1</sup>/<sub>2</sub>" = 1'-0" (1:8)

### Overall Door Dimension Width

Sum of individual door widths plus 3/16" for each join.

### Overall Rough Opening Width

Overall door dimension width plus 3/4".



**Horizontal Section**  
Frenchwood® Hinged Inswing to Frenchwood Hinged Inswing

## Vertical LVL Reinforced Joining Detail

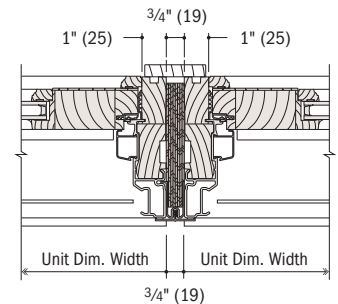
Scale 1<sup>1</sup>/<sub>2</sub>" = 1'-0" (1:8)

### Overall Door Dimension Width

Sum of individual door widths plus 3/4" for each join.

### Overall Rough Opening Width

Overall door dimension width plus 3/4".



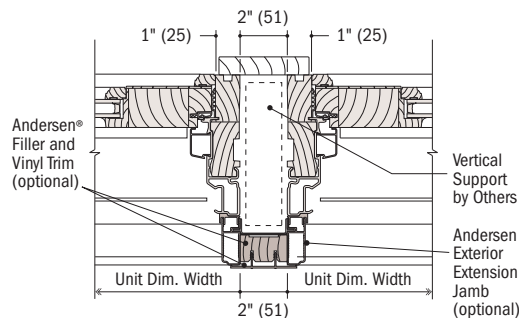
**Horizontal Section**  
Frenchwood® Hinged Inswing to Frenchwood Hinged Inswing

**Andersen does not recommend joining of hinge jamb to hinge jamb. For more joining information see the combination design section starting on page 259.**

## Separate Rough Openings Detail

Scale 1<sup>1</sup>/<sub>2</sub>" = 1'-0" (1:8)

To meet structural requirements or to achieve a wider joined appearance, doors may be installed into separate rough openings having vertical support (by others) in combination with Andersen® exterior filler and exterior vinyl trim.



**Horizontal Section**  
Frenchwood® Hinged Inswing and Frenchwood Hinged Inswing

- Light-colored areas are parts included with door. Dark-colored areas are additional Andersen® parts required to complete door assembly as shown.
- **Rough openings may need to be increased to allow for use of building wraps, flashing, sill panning, brackets, fasteners or other items. See installation information on page 33.**
- Details are for illustration only and are not intended to represent product installation methods or materials. Refer to product installation guides at andersenwindows.com.
- Andersen recommends installation of doors into separate rough openings. Consult with an architect or structural engineer regarding minimum requirements for structural support members between adjacent rough openings.